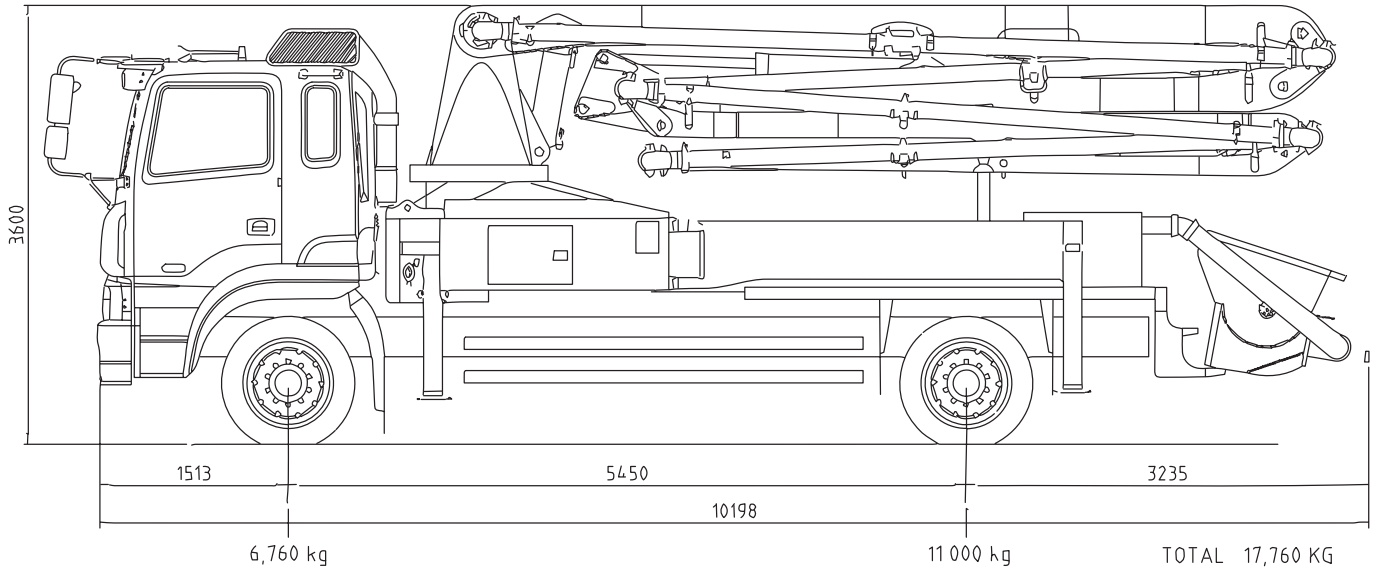


## Truck Mounted Placing Boom



### BOOM SPECIFICATIONS

Vertical reach	27.1M
Horizontal reach	23.2M
Reach from front of truck	20.3M
Unfolding height	6.6M
Section articulation	92°/180°/250°/245°
Rotation	370°
Delivery line	125mm
Proportional boom	Yes
End hose length	3M
Outrigger spread-front	5.64M
Outrigger spread-rear	5.88M
Max. outrigger weight	13,000kg

### PUMP SPECIFICATIONS

Maximum output	110m/h
Concrete cylinder	Ø230 x 1400
Stroke per minute	31
Concrete pressure	69bar
Hopper capacity	0.6m
S-tube	Ø200 x Ø180
Hydraulic pump	KCP - K3V5200S
Cycling system	Hydraulic w/ manual overrides
Max. aggregate size	40mm

### WORKING DIAGRAM

