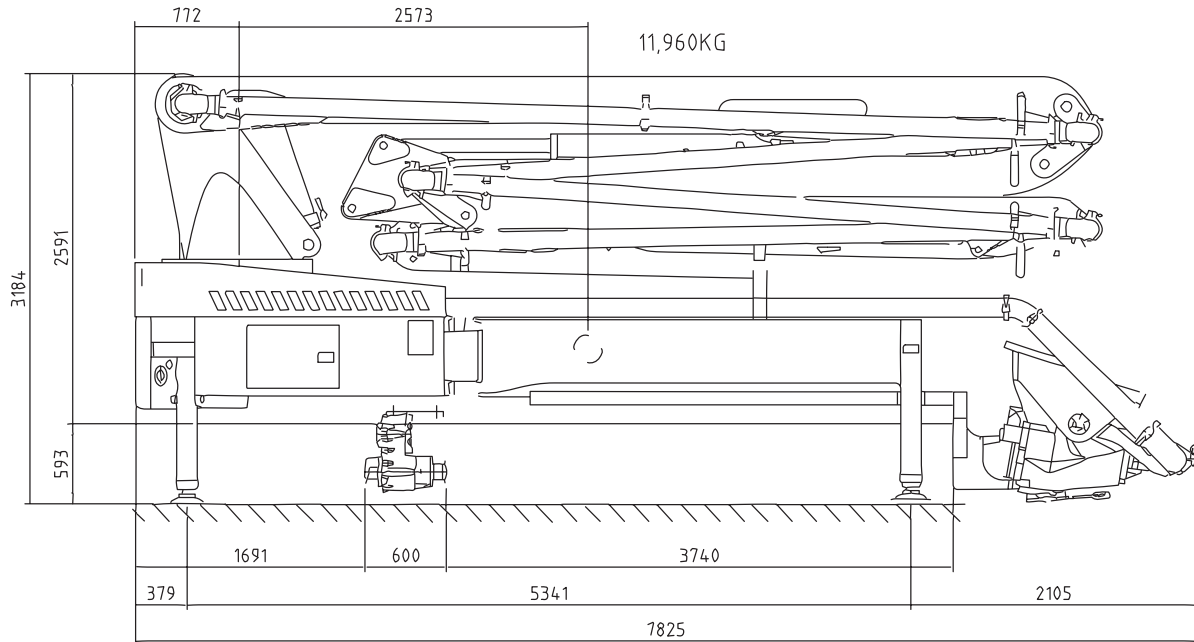


Truck Mounted Placing Boom



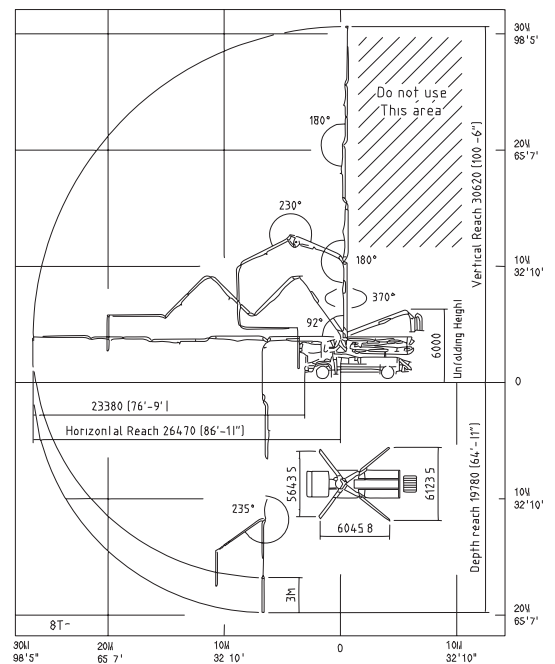
BOOM SPECIFICATIONS

Vertical reach	30.6M
Horizontal reach	26.5M
Reach from front of truck	23.7M
Unfolding height	5.96M
Section articulation	92°/180°/230°/235°
Rotation	370°
Delivery line	125mm
Proportional boom	Yes
End hose length	3M
Outrigger spread-front	5.64M
Outrigger spread-rear	6.12M
Max. outrigger weight	14,000kg

PUMP SPECIFICATIONS

Maximum output	100m/h
Concrete cylinder	Ø230 x 1400
Stroke per minute	31
Concrete pressure	70 bar
Hopper capacity	0.5m
S-tube	Ø200 x Ø150
Hydraulic pump	KCP-K3V180S
Cycling system	Hydraulic w/ manual overrides
Max. aggregate size	40mm

WORKING DIAGRAM



- Truck specifications: Mercedes BENZ ATEGO 1229
- Maximum theoretical values listed
- Photos and drawings are for illustrative purpose
- Right to make technical amendments reserved