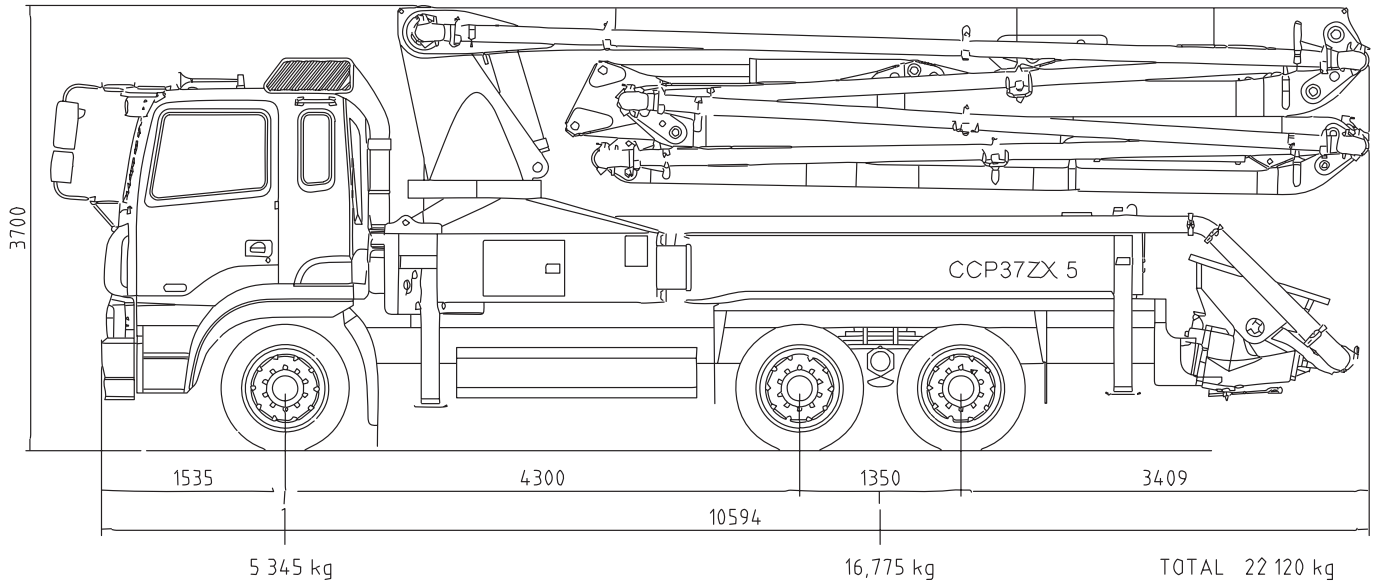


Truck Mounted Placing Boom



BOOM SPECIFICATIONS

Vertical reach	36.34M
Horizontal reach	32.07M
Reach from front of truck	28.94M
Unfolding height	7.3M
Section articulation	92°/180°/225°/180°/245°
Rotation	370°
Delivery line	125mm
Proportional boom	Yes
End hose length	3M
Outrigger spread-front	5.64M
Outrigger spread-rear	6.28M
Max. outrigger weight	17,500kg

PUMP SPECIFICATIONS

Maximum output	150m/h
Concrete cylinder	Ø230 x 1800
Stroke per minute	25
Concrete pressure	69 bar
Hopper capacity	0.6m
S-tube	Ø200 x Ø150
Hydraulic pump	Rexroth A11VLO260
Cycling system	Hydraulic w/ manual overrides
Max. aggregate size	40mm

WORKING DIAGRAM

