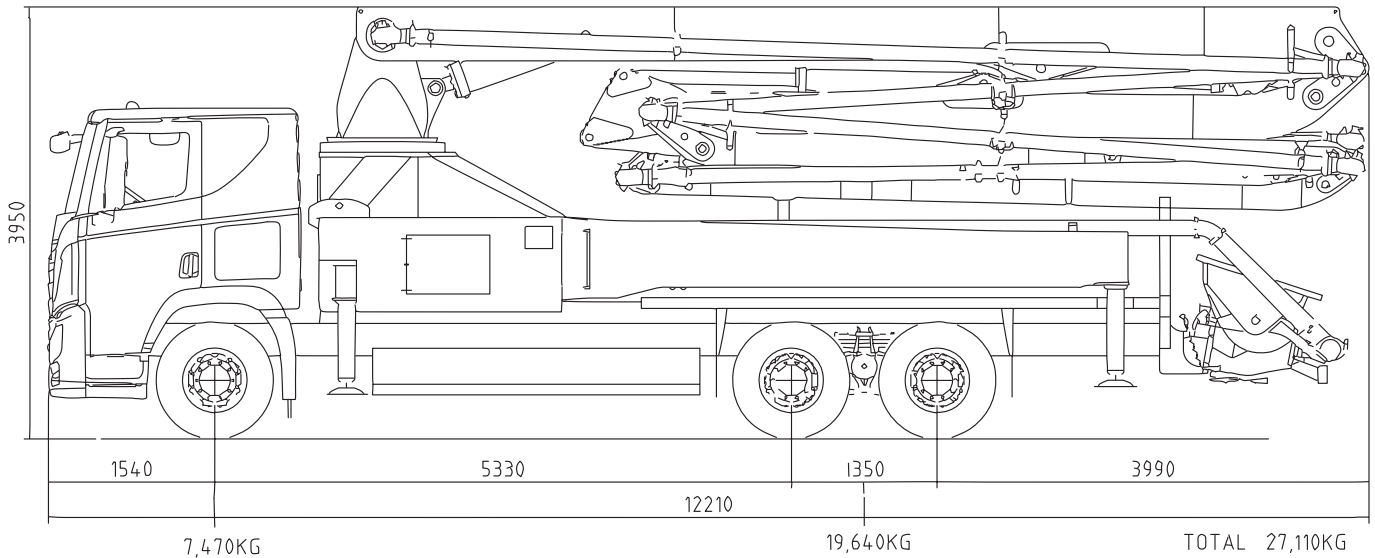


Truck Mounted Placing Boom



BOOM SPECIFICATIONS

Vertical reach	39.6M
Horizontal reach	35.6M
Reach from front of truck	32.5M
Unfolding height	7.91M
Section articulation	92°/185°/240°/180°/245°
Rotation	370°
Delivery line	125mm
Proportional boom	Yes
End hose length	3.5M
Outrigger spread-front	6.18M
Outrigger spread-rear	8.1M
Max. outrigger weight	22,500kg

PUMP SPECIFICATIONS

Maximum output	170m/h
Concrete cylinder	Ø230 x 2100
Stroke per minute	32
Concrete pressure	72 bar
Hopper capacity	0.6m
S-tube	Ø200 x Ø180
Hydraulic pump	KCP-K3V180DT
Cycling system	Hydraulic w/ manual overrides
Max. aggregate size	40mm

WORKING DIAGRAM

