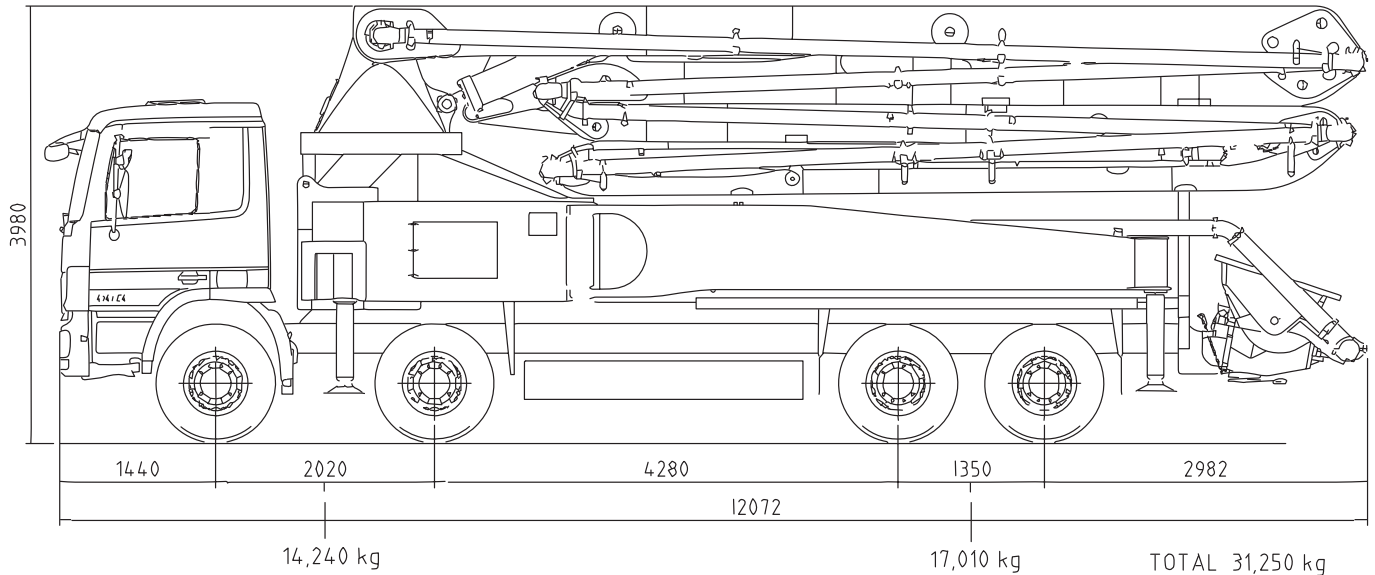


## Truck Mounted Placing Boom



### BOOM SPECIFICATIONS

Vertical reach	41.4M
Horizontal reach	37.4M
Reach from front of truck	34.4M
Unfolding height	8.75M
Section articulation	92°/180°/230°/180°/245°
Rotation	370°
Delivery line	125mm
Proportional boom	Yes
End hose length	3.5M
Outrigger spread-front	7.8M
Outrigger spread-rear	9.08M
Max. outrigger weight	27,000kg

### PUMP SPECIFICATIONS

Maximum output	170m/h
Concrete cylinder	Ø230 x 2100
Stroke per minute	32
Concrete pressure	72bar
Hopper capacity	0.6m
S-tube	Ø200 x Ø180
Hydraulic pump	KCP - K3V180DT
Cycling system	Hydraulic w/ manual overrides
Max. aggregate size	40mm

### WORKING DIAGRAM

