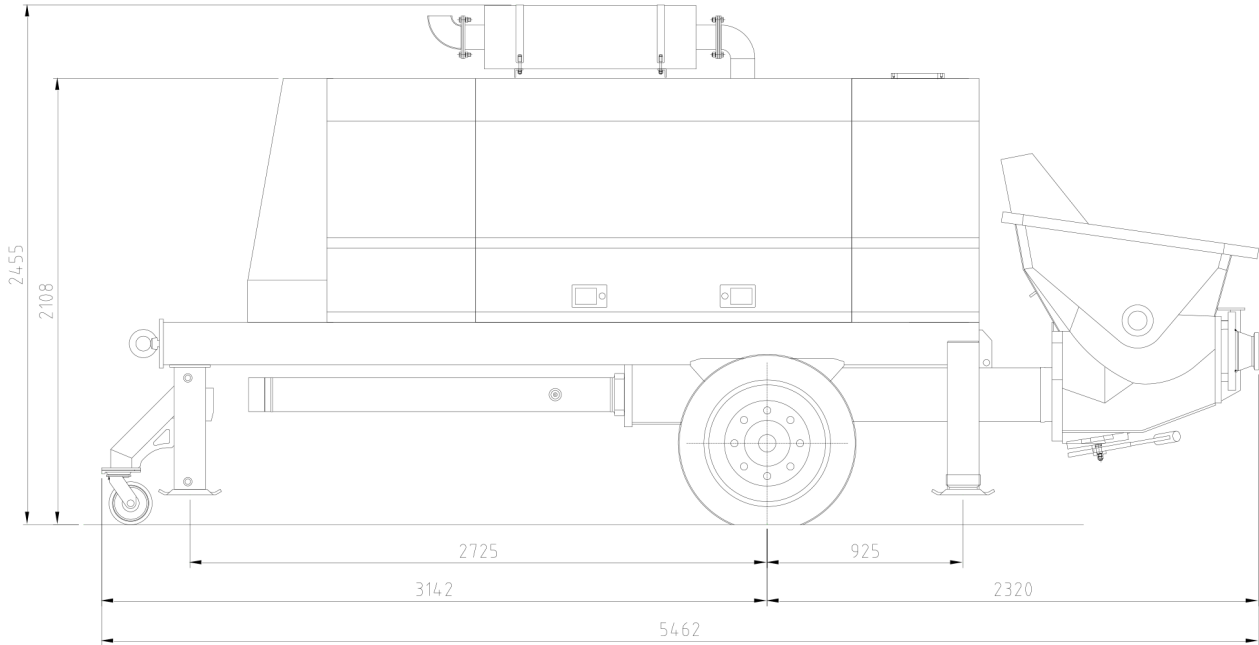


## Stationary Line Pump



### PUMP SPECIFICATIONS

Engine	PU086T(205ps/2200rpm)-DOOSAN
Engine RPM	1900 RPM
Maximum output	64m <sup>3</sup> /h(High), 100m <sup>3</sup> /h(Low)
Main cylinder	Ø130/Ø80 x 1400ST
Concrete cylinder	Ø230x1400ST
Cycling system	Hydraulic with manual overrides
Stroke per minute	18(High), 30(Low)
Concrete pressure	111 bar(High), 69 bar(Low)
Hopper capacity	0.6m <sup>3</sup>
S-tube	Ø200 x Ø150
Hydraulic pump	KCP-K3V180S
Max. aggregate size	40mm
Vertical distance	145M (slump 8cm)
Horizontal distance	245M (slump 8cm)

### PERFORMANCE DIAGRAM

